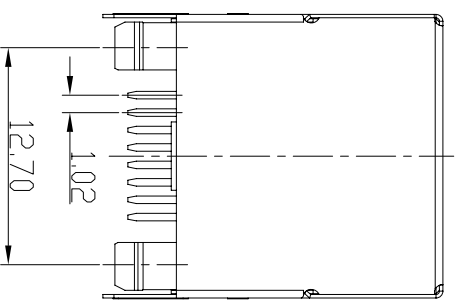
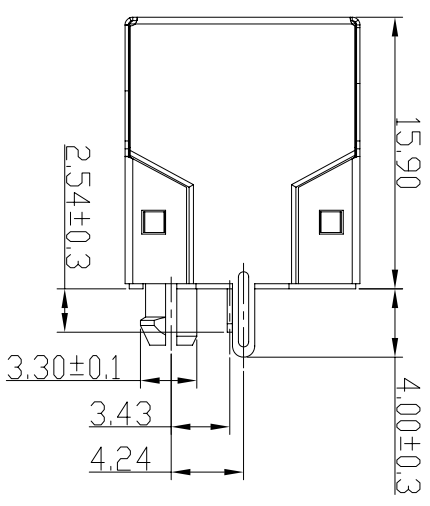
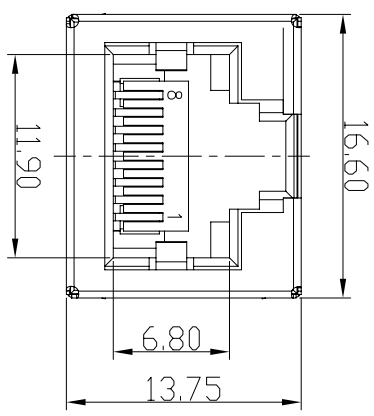


CATEGORY	DESCRIPTION	P/N #
CONNECTOR	RJ45 180度插板无耳无针=15.9mm	MJ88E-BX11-HPP1

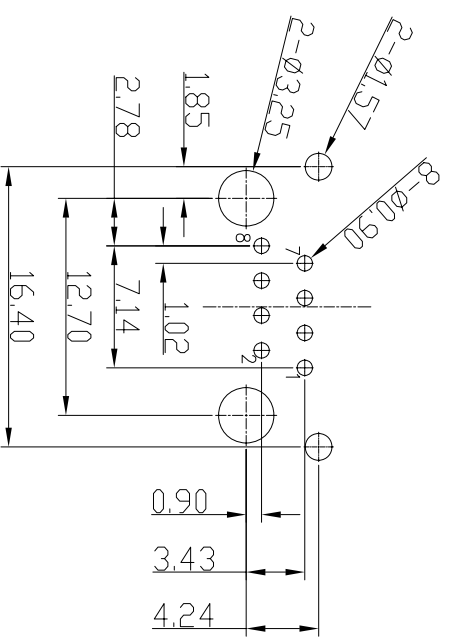
REV.	ECN NO	DESCRIPTION	REVISED	DATE
A01		New Release	XSY	2015.04.04



Part No.:
MJ88E-BX11-HPP1

X	Terminal Plating
0	G/F Plating
1	Au 3u" Plating
2	Au 6u" Plating
3	Au 15u" Plating
4	Au 30u" Plating

- 1.RJ ELECTRICAL CHARACTERISTICS
- 1-1: VOLTAGE: 125V AC RMS
 - 1-2: CURRENT RATING: 1.5A
 - 1-3: CONTACT RESISTANCE: 40mΩ MAX.
 - 1-4: INSULATION RESISTANCE: 500MΩ MIN.
 - 1-5: DIELECTRIC WITHSTANG VOLTAGE : 1000V AC
 - 1-6: OPERATURE TEMPERATURE: -40°C~80°C




Recommend PCB Layout
Jack Top View
Tolerance: ±0.05mm
Recommend PCB Thickness: 1.6mm

d	SHELL	1	BRASS T=0.2mm	NI PLATING	
c	TERMINAL	8	PHOSPHOR BRONZE T=0.3mm	Au/Tin PLATING	
b	COVER	1	PBT UL94V-0	BLACK	
a	HOUSING	1	PBT UL94V-0	BLACK	
NO.	PART NAME	QTY	MATERIAL	PLATING & COLOR	Remark

UNLESS OTHERWISE SPECIFIED TOLERANCES

SCALE: 1/1 UNIT: mm
SIZE: A3 PAGE: 1 OF 1 REV: A01
DWC.NO:

 东莞市合陵电子有限公司
DongGuan Heling Electronic Co.,LTD

DECIMALS:	ANGLES:	APPROVED BY	CHECKED BY	PREPARED BY
X : ±0.5	X : ±2°	ZDC	LGM	XSY
XX : ±0.3	XX : ±1°	CUSTOMER COPY		
XXX : ±0.2				